

EN

SENSOR

INSTRUCTION

SPECIFICATION:

Model:SA003Q

Operating Voltage: 220~240V/AC 50-60HZ

DetectionRange:120°(side-view)/360°

Detection Distance: 6m (Max. < 24°C)

Detection Speed: 0.6 ~ 1.5 m/s

Average Load: Max. 800W

Environment Temperature: -20°C ~ +40°C

Environment Humidity: Max. 93%

Ambient Light: 3-2000LUX(adjustable)

Time-Delay: Min 10 sec. ~Max. 8min

Installation Height: 2.2m ~ 4 m

Adjustable time-delay, ambient light

Automatically move detection

Performance stability

Day/night adjustment

CAUTION:

1. Before installation, please read instruction carefully and preserve it well.
2. Only maintained and installed by qualified electrician.
3. Keep away the heating/streaming/air conditioning devices.
4. Don't impact the lens with any object.

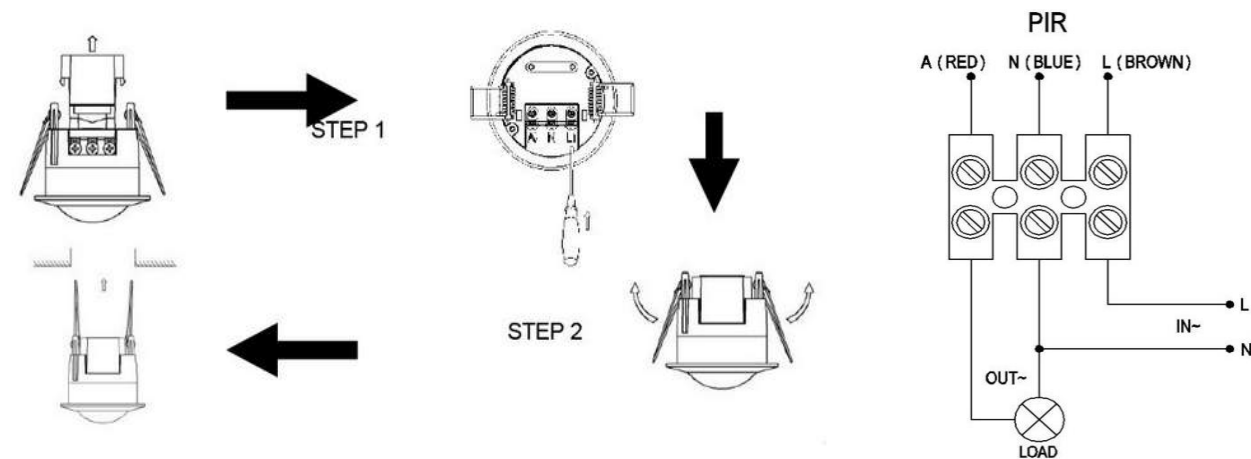
RoHS Compliant.



LY31-01050

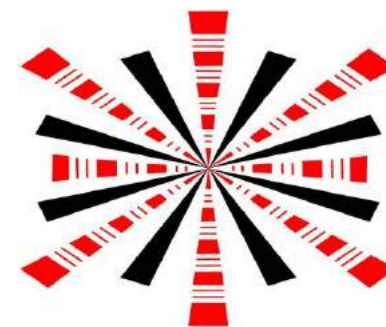
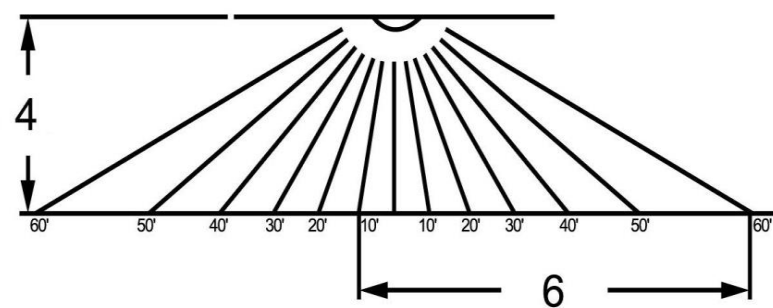
INSTALLATION:

1. Displace the Connection Cover by aid of screwdriver.
2. Connect the wires properly as shown in the figure.
 - a. Connect the AC input to the load terminal and also input terminal of sensor.
 - b. Connect the load to the output terminal of sensor (Red).
3. Mount the device to installation place by closing the cover of connector.



OPERATION:

1. Detection-angle / Detection-distance / Installation-height are shown in the figures respectively.
 - a. Figure 1/2 shows that the detection angle is 120° (side-view) and 360° (top-view).
 - b. Figure 1 shows also detection-distance is max. 6m and installation-height is max.4m.



2. You can adjust time-delay using switch on the side of sensor body. Time delay is adjustable from 10 sec to 8 min (+/-10%).

