

LAMBARIO



Brighter
moments

General Information

Product code: DLP-16
Lighting Type: Pendant Lamp
Ean Code: 8605036640156

Dimensions

Height: 940 mm
Width: 230 mm

Illuminant

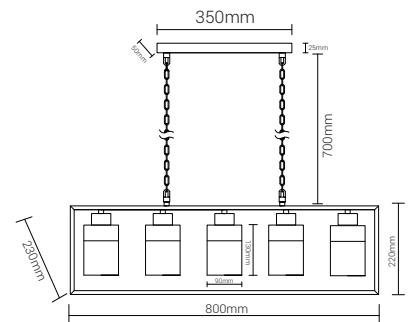
Socket: E27
Lampholder Wattage: 5 x 40W Max
Average Lifetime: 5 years
Remote: no
Dimmable: no

Material & Colour

Enclosure Material: Iron+Glass
Enclosure Colour: Black Copper Color Amber

Technical Information

Protection Class: Class 1
Protection Rating: Ip20
Line Voltage: 220-240V,50/60Hz



For more information visit
www.lambario.com

5 years
WARRANTY

Zhongshan ShangXin Trading Company NO.7123-45 Showroom, NO.101 TongXing Road, GuzhenTown, ZhongshanCity, Guangdong Province

