



### General Information

Product code: DLP-59  
 Lighting Type: PENDANT LAMP  
 Ean Code: 8605036640828

### Dimensions

Height: 1000 mm  
 Width: 135 mm

### Illuminant

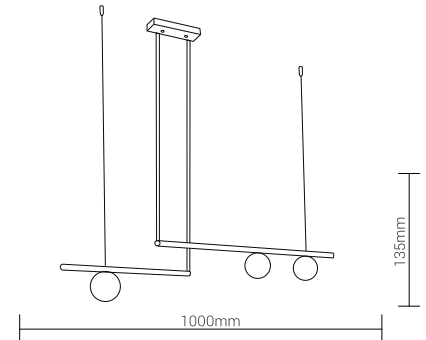
Socket: G9  
 Lamp Holder Wattage: 3 x 7W Max  
 Average Lifetime: 5 years  
 Remote: no  
 Dimmable: no

### Material & Colour

Enclosure Material: Iron & glass  
 Enclosure Colour: Copper & milk white

### Technical Information

Protection Class: Class I  
 Protection Rating: IP20  
 Line Voltage: 220-240V,50/60Hz



For more information visit  
[www.lambario.com](http://www.lambario.com)

**5** years  
 WARRANTY

Zhongshan ShangXin Trading Company NO.7123-45 Showroom, NO.101 TongXing Road, GuzhenTown, ZhongshanCity, Guangdong Province

