

DESCRIPTION:
LAMBARIO-PS02-25A-IP44-PHOTOCELL SENSOR



LY31-03040

The product can turn on or turn off light by automatically according to ambient-light. Ambient-temperature and humidity can't affect it. It is not only convenient but also practical; it can control the load working only at night. For instance road light, garden light etc.

SPECIFICATION

Power source: 220V – 240V/AC

Rated Current: 25A

Working Temperature: -20~+40°C

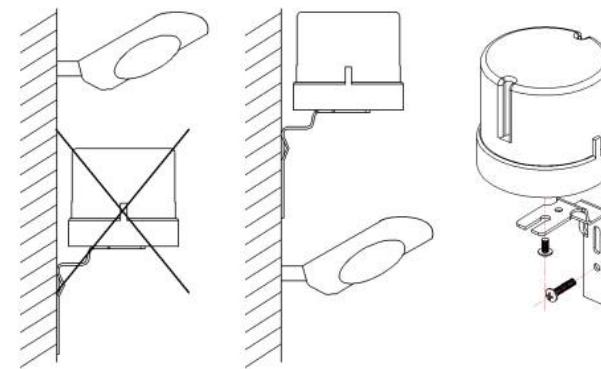
Power Frequency: 50Hz

Ambient Light: <5-15LUX

Working Humidity: <93%RH

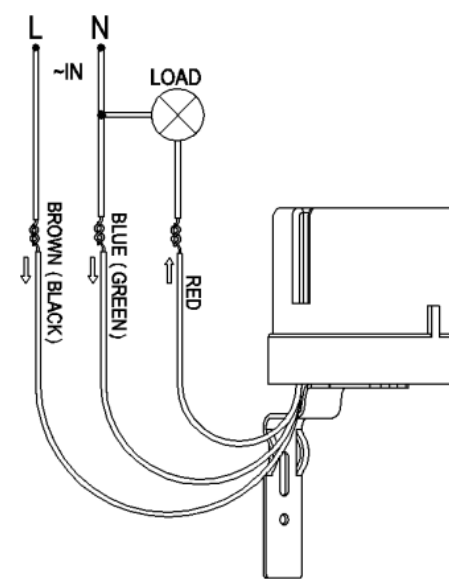
INSTALLATION (see the figures)

- Switch off the power. Connecting the wire as per the following figure.
- Please install the item with the correct orientation (see figure A) what shows in the metal bracket and according to the correct installation place with the enclosed inflated screws.



INCORRECT CORRECT figure A

CONNECTION-WIRE FIGURE



TEST

- Switch on the power.
- Please using enclosed black opaque bag in the packing when you testing in daytime.
- When the bag mantles the detection window of the photocell, the ambient light of the items will be dark, it makes lamp on.
- When take off this bag, it makes lamp off by automatically.

NOTE

- In front of the photocell, it should be no obstruction effecting to accept natural light;
- In front of the photocell, it should be no swaying object.